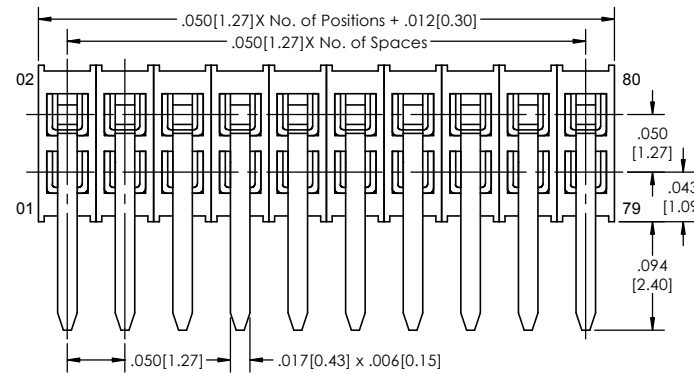
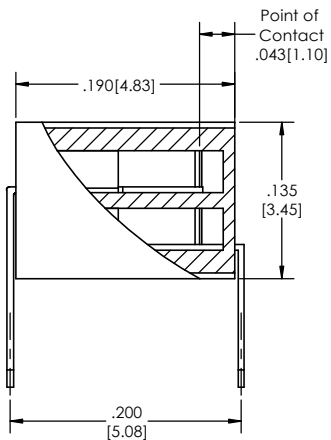
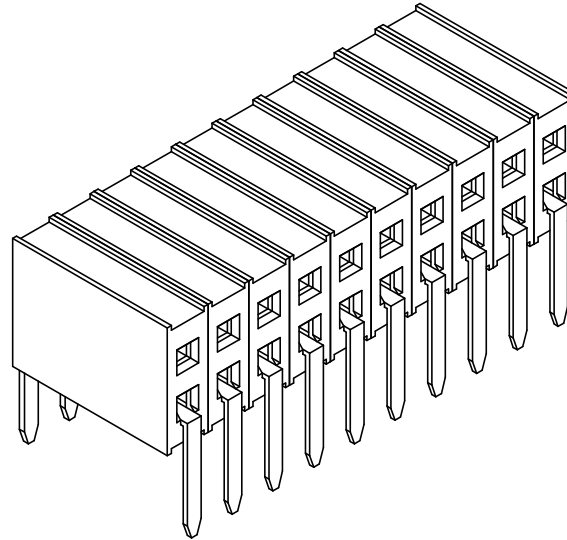
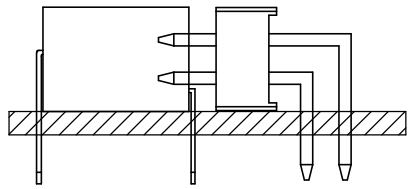
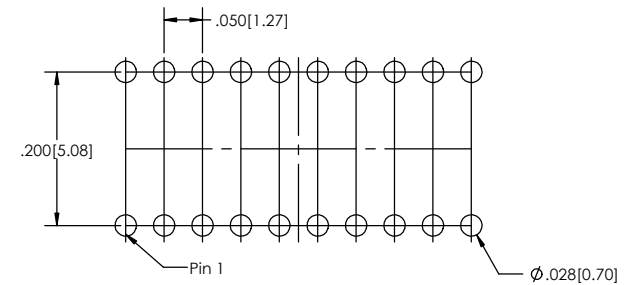


APPLICATION



Recommended P.C. Board Layout

SCALE 8:1



SSHS-5 **XX** - **D** - **02** - **XX** - **XXX** - **LF**
(A) **(B)** **(C)** **(D)** **(E)** **(F)**

- A. Pins Per Row - 1 through 40
- B. Row Specification - D= Double Row
- C. Mount Option - 02= Horizontal Mount
- D. Plating Options - See Plating Options below
- E. Polarized Position - Leave blank if not needed - If required, specify empty pin position - e.g. 012 for Pin 12
- F. Lead Free

Mates with:
 BSTC.
 BSTCM.
 BSTS.
 TBSTC.
 TBSTCM.
 TBSTS.
 TSHC.
 TSHR.
 TSHS.
 TSHSCM.
 TTSHC.
 TTSHR.
 TTSHS.
 TTSHSM.

Plating options	
G	-10µ Gold on Contact Area/ Flash on Tail
T	-Matte Tin all Over
GT	-10µ Gold on Contact Area/ Matte Tin on Tail
H	-30µ Gold on Contact Area/ Matte Tin on Tail
F	-Gold Flash over Entire Pin
FT	- Gold Flash on Contact Area/ Matte Tin on Tail

Specifications:
 Insertion Depth: .095[2.41] Min.
 Insertion Force- Per Contact- H Plating:
 3.8oz. [1.05N] avg. with .016[0.41] Sq. pin
 Withdrawal Force- Per Contact- H Plating:
 2.0oz. [0.65N] avg. with 0.16 [0.41] Sq. pin
 Current Rating: 1.5 Ampere
 Insulation Resistance: 1000M Ohms Min.
 Dielectric Withstanding: 300V AC
 Contact Resistance: 20M Ohms Max.
 Operation Temperature: -40°C to +105°C
 Max. Process Temperature
 Peak: 260°C up to 10 secs.
 Process: 230°C up to 60 secs.
 Wave: 260°C up to 6 secs.
 Reflow: 260°C up to 10 secs.
 Manual Solder: 350°C up to 5 secs.

Materials:
 Contact Material: Phosphor Bronze
 Insulator Material: Nylon 6T
 Plating: Au or Sn over 50µ" (1.27) Ni
 Tails may be clipped to achieve specific dimensions.

Products cut to specific sizes are uncancellable/ nonreturnable.
 Parts are subject to change without notice.



PROPRIETARY AND CONFIDENTIAL
 THE INFORMATION CONTAINED IN THIS DRAWING IS THE SOLE PROPERTY OF Major League Electronics. ANY REPRODUCTION IN PART OR AS A WHOLE WITHOUT THE WRITTEN PERMISSION OF Major League Electronics IS PROHIBITED.

UNLESS OTHERWISE SPECIFIED:		NAME	DATE	
DIMENSIONS ARE IN INCHES		DRAWN	EOW 02/23/15	
TOLERANCES: ONE DECIMALS ±.100 TWO DECIMAL ±.010 THREE DECIMAL ±.005 FOUR DECIMAL ±.002		CHECKED	GWE 02/23/15	
		ENG APPR.		
NEXT ASSY USED ON		MFG APPR.		ADDRESS: 2533 Centennial Blvd. Jeffersonville, IN 47130 Phone: 812-670-4174 Fax: 812-670-4175 E-Mail: mle@mlelectronics.com
APPLICATION		DO NOT SCALE DRAWING		TITLE: SSHS-5-H SERIES
				SIZE DWG. NO. C
				REV B
				SCALE 12:1 SHEET 1 OF 1